

Description : Half Moon Recessed - ALLGLASS

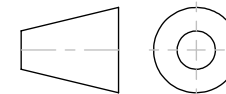
Code : AL5317

Scale : 1:2

SHEET 1 OF 2

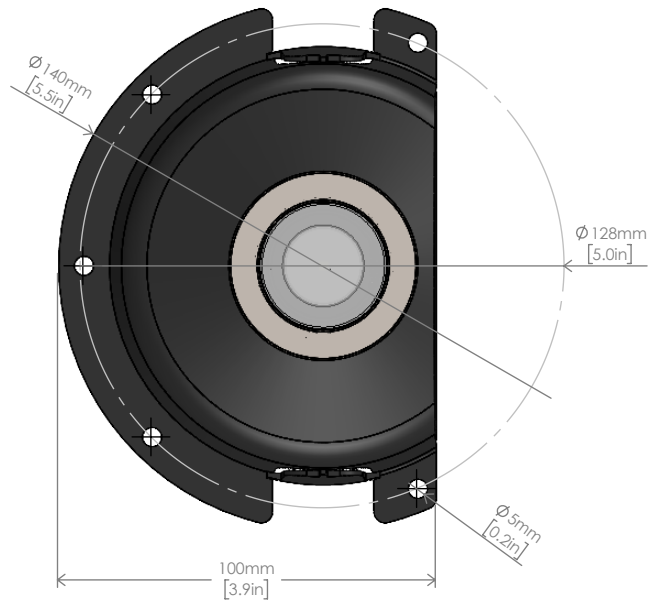
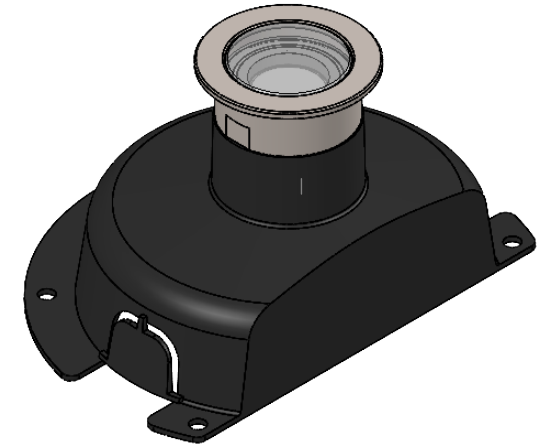
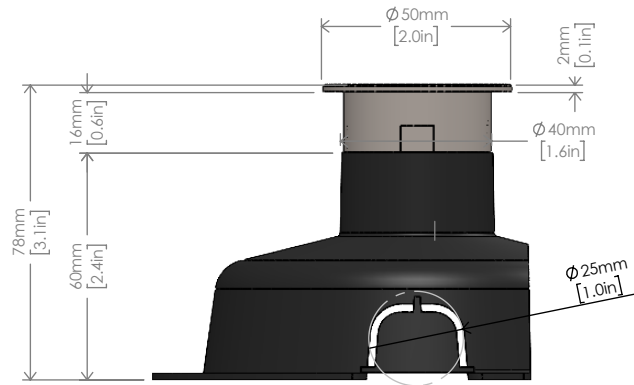
Revision : 15

DIMENSIONS ARE IN MILLIMETERS [BRACKETED DIMENSIONS ARE IN INCHES]



**GRIVEN** 

<http://www.griven.com>



Description : Half Moon Recessed - FRAME

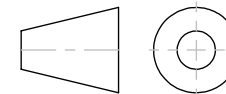
Code : AL5317

Scale : 1:2

SHEET 2 OF 2

Revision : 15

DIMENSIONS ARE IN MILLIMETERS [BRACKETED DIMENSIONS ARE IN INCHES]



**GRIVEN** 

<http://www.griven.com>